



RPE Srl
Leader in Fluid Management Control

100%
MADE IN ITALY

PWM BOARD

**Solutions for coffee machine, water
dispenser, appliances, medical equipment**

For a control of the fluids at high temperature

www.rpesrl.it

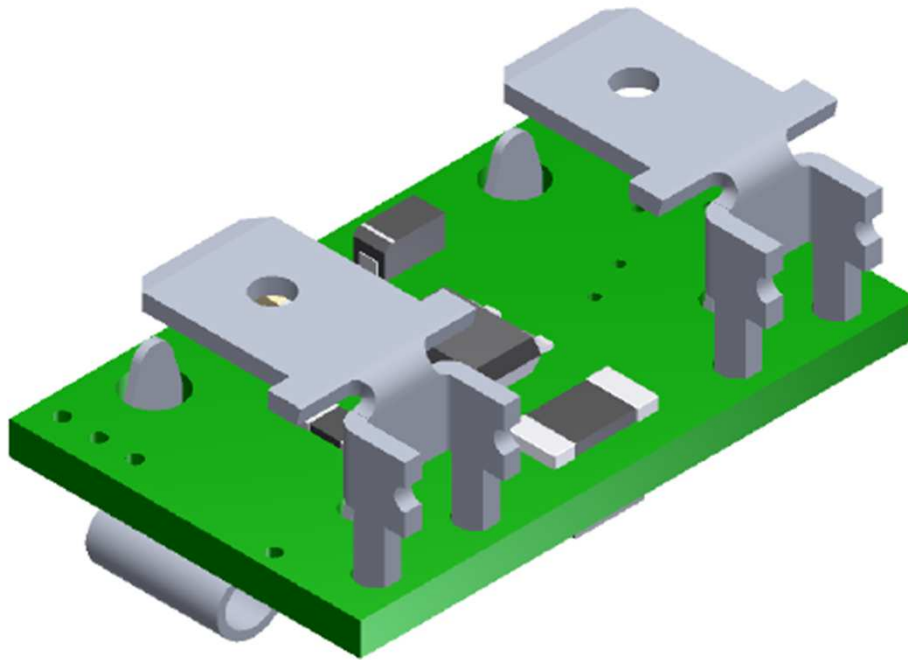


PWM Software



100%
MADE IN ITALY

2



**MAXIMUM RATING
HARDWARE
24V DC**

- Room temperature: 0 - 80°C
- Supply voltage: 24V DC 20%
- Current consumption of electronic board: 16mA
- Maximum power supply: 30W
- Maximum current supply: 1 A
- Peak current (10ms): 3 A
- Output type: Mosfet open drain
- PWM frequency: 15kHz 5%

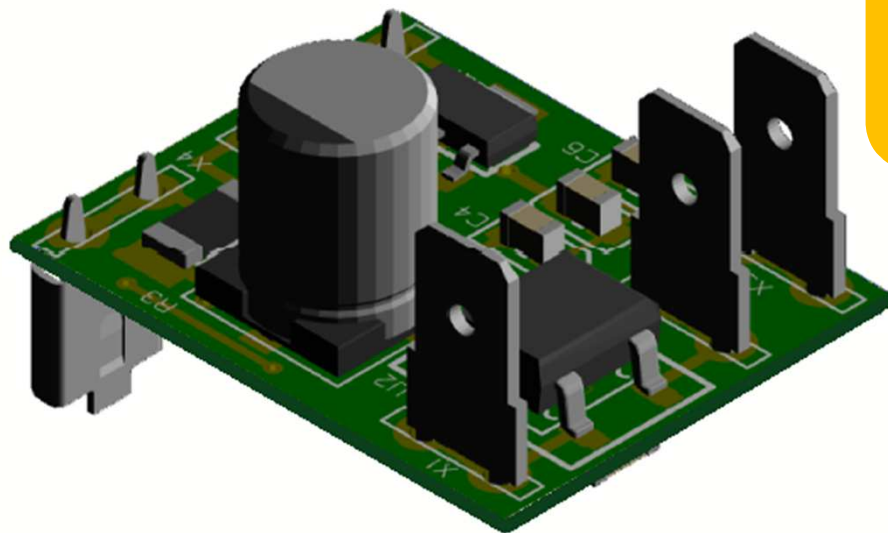


PWM Software



100%
MADE IN ITALY

3



**MAXIMUM RATING
HARDWARE
230V AC**

- Room temperature: 0 - 70°C
- Supply voltage: 220V AC 20%
- Frequency: 50Hz/60Hz
- Current consumption of electronic board: 10mA
- Maximum current supply: 0,5 A
- Peak current (10ms): 1 A
- Output type: Mosfet open drain
- PWM frequency: 5kHz 5%



PWM Software

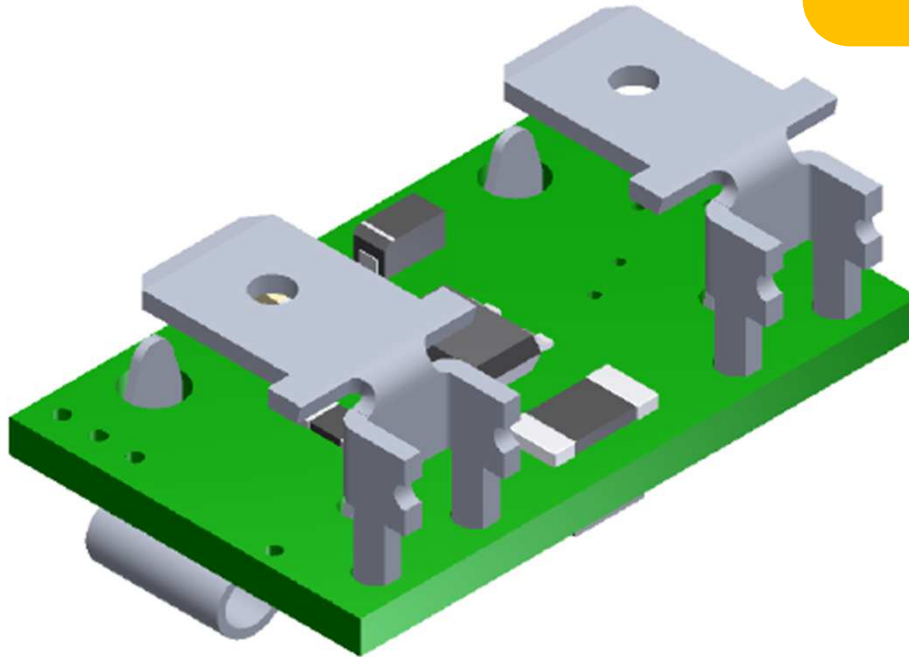


100%
MADE IN ITALY

4

PWM board allow to drive the electrovalves in direct current through the control of rush current and the holding current

FUNCTIONALITY
OF SOFTWARE
24V DC



- In rush time: 500 ms $\pm 5\%$
- In rush current: 480 mA $\pm 5\%$
- Holding current: 100 mA $\pm 5\%$
- Peak current(10 ms): 800 mA $\pm 5\%$
- Start up time: 2 mS $\pm 5\%$
- Stop time (output fall time): 100 μ s $\pm 5\%$
- Load inductance: 110 mH $\pm 5\%$



PWM Software

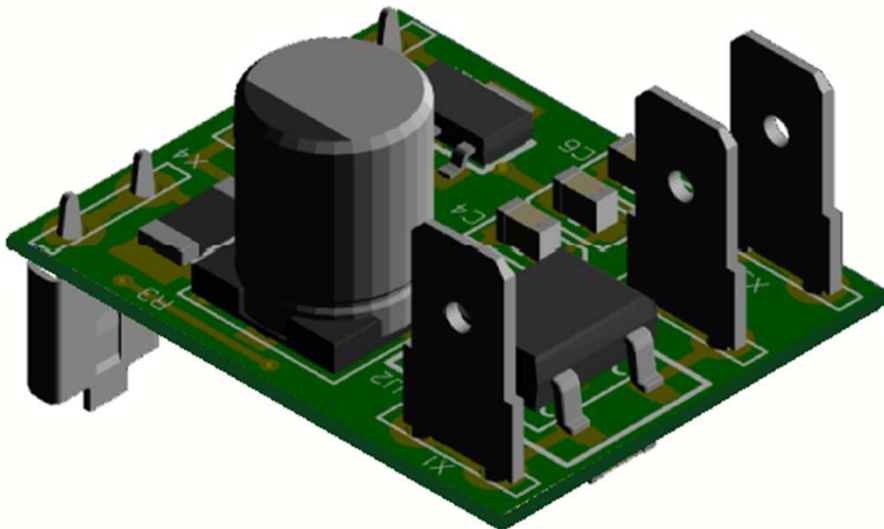


100%
MADE IN ITALY

5

PWM board allow to drive the electrovalves in direct current through the control of rush current and the holding current

**FUNCTIONALITY
OF SOFTWARE**
230V AC



- In rush time: 100 ms $\pm 5\%$
- In rush current: 400 mA $\pm 5\%$
- Holding current: 30 mA $\pm 5\%$
- Peak current (10 ms): 1000 mA $\pm 5\%$

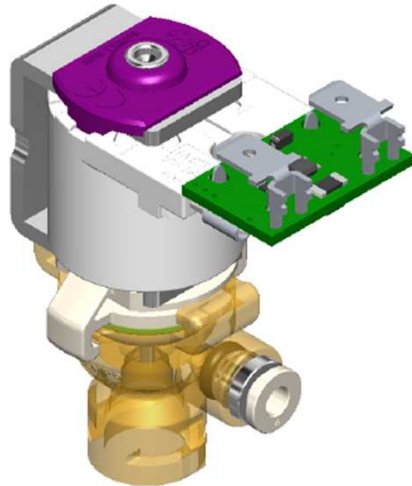


PWM Software



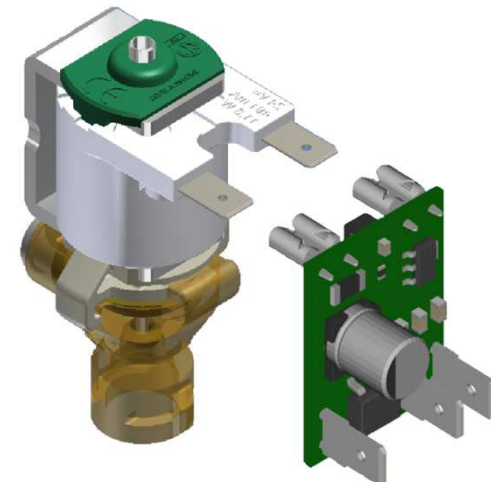
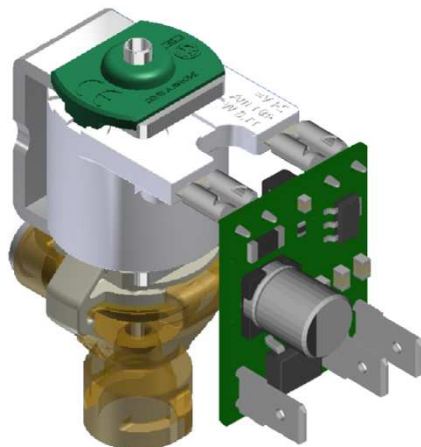
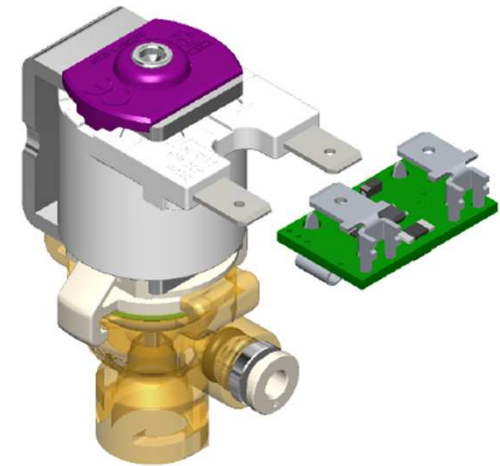
100%
MADE IN ITALY

6



APPLICATIONS

- Electromechanical drivers:
- Solenoids
- Valves
- Actuators
- Protection against overheating of the solenoids





PWM Software

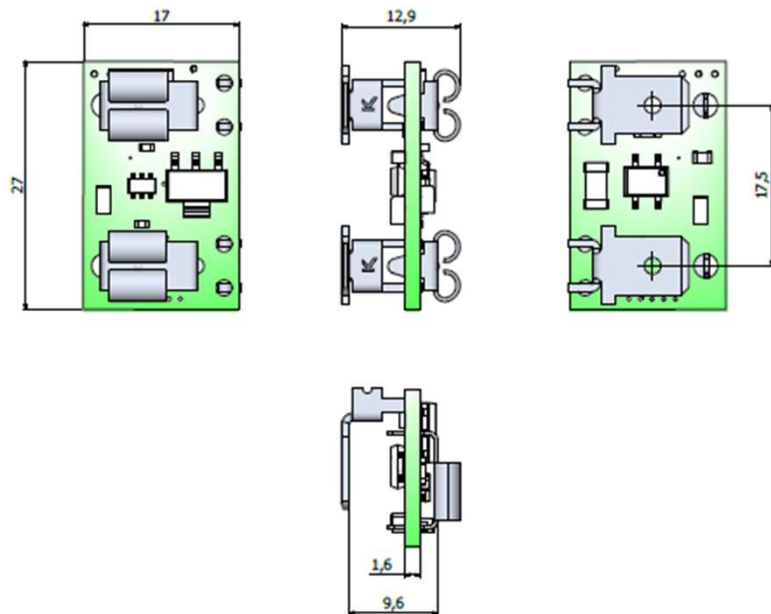


100%
MADE IN ITALY

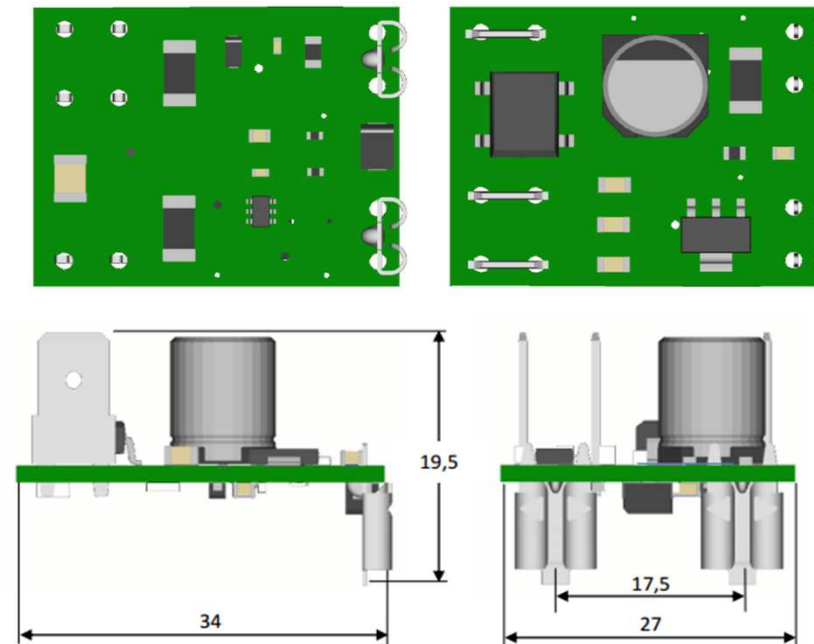
7

Plans and board size

24V DC



230V AC





PWM Software Plus del prodotto

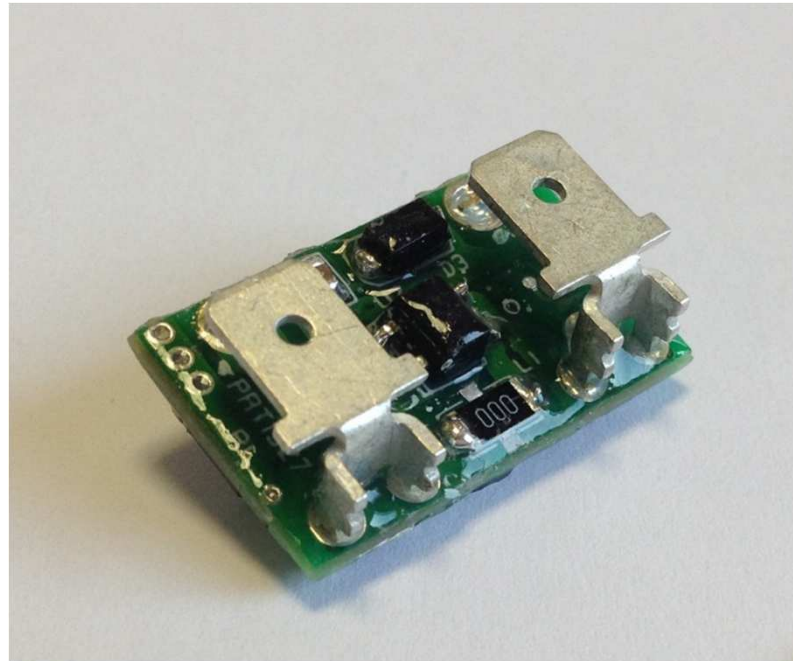


100%
MADE IN ITALY

8

Very compact
dimensions

Substantial
reduction of the
energy consumed
about 60%



Allows to lower the
operating temperature
of the solenoid

Considerably
reduces
electromagnetic
pollution (EMC)

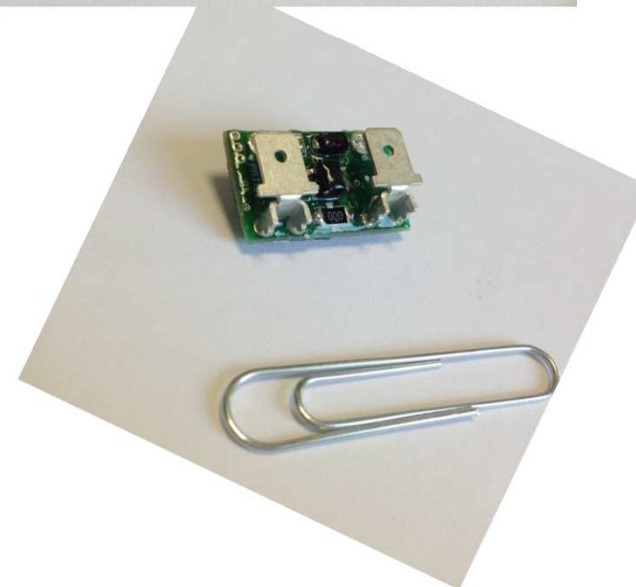
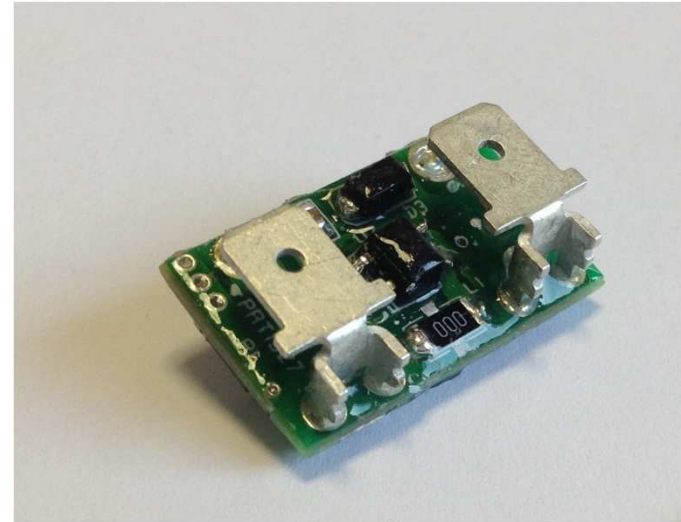
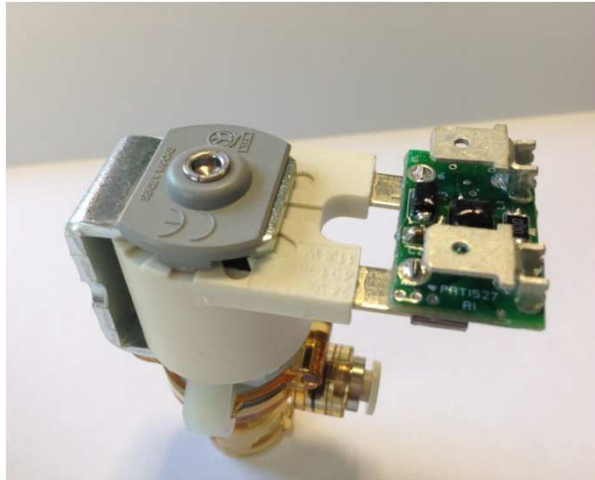


PWM Software



100%
MADE IN ITALY

9





Target Market

100%
MADE IN ITALY

10





NOTHING GREAT HAS EVER BEEN DONE WITHOUT PASSION

11

Thanks for your attention



www.rpesrl.it